

# BAR LIGHT

LL-60

Direct, universal illumination of most surfaces. Allows the use of Dark and Bright Field light sources depending on the distance and angle towards the scanned object.



HOMOGENOUS LIGHT FIELD

COMPACT DESIGN

UNIVERSAL MOUNTING

## LIGHT OPERATING MODES

### PERMANENT ILLUMINATION MODE

The light is designed for both the permanent and light-triggering mode. For permanent illumination bring the voltage of 10-24 V to the pin number 3 (brown wire). The light is ON during the time when the 24 V EN signal is activated. Use a PCL, camera, or another binary signal source. For the light intensity control, please see the text below.

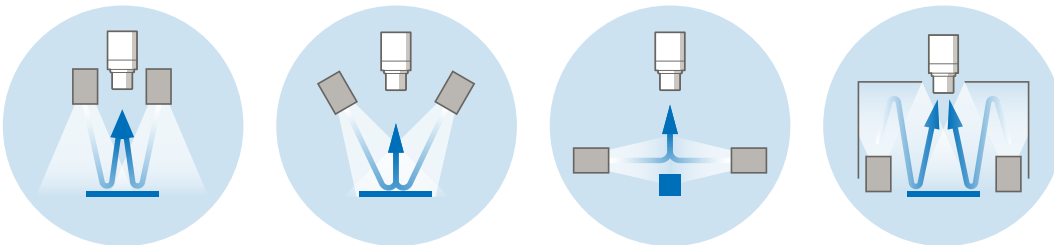
### LIGHT TRIGGERING MODE

Light triggering mode saves energy and extends the lifetime of the light. Trigger operation mode is recommended when a parallel operation of 2 or more lights might affect the quality of the acquired image. To start using a triggering mode, bring the pin number 3 (brown wire) to a 24 V signal. The light is ON when a voltage of 24 V is present at pin number 3 then. Use a PCL, camera, or another binary signal source for triggering. For the light intensity control, please see the text below.

### LIGHT SOURCE INTENZITY REGULATION

The light intensity might be regulated by a PWM signal at a pin number, or by an CM-01 external controller. The maximum PWM frequency is  $\leq 40$  kHz.

## WAYS OF USE



## ORDERING CODE

example of the ordering code

LL - 60 **B** 120

Linear Light    Active Area    Wavelength    LED Beam Angle

## CONFIGURATION

Model	Wavelength [nm]	Active Area [mm]	LED Beam Angle [°]
LL-60W	white	60 x 10	120
LL-60IR	850	60 x 10	50
LL-60R	633	60 x 10	60
LL-60G	525	60 x 10	120
LL-60B	470	60 x 10	120

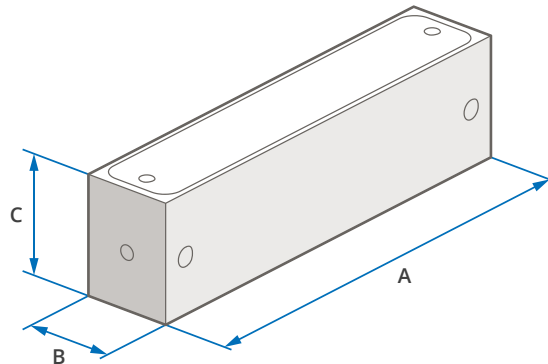
## ELECTRIC PARAMETERS

Model	LL-60W	LL-60IR	LL-60R	LL-60G	LL-60B
$U_n$ Voltage Span	18-28 V	22-28 V	20-28 V	22-28 V	18-28 V
$U_{Im}$ Nominal Voltage	24 V	24 V	24 V	24 V	24 V
$I_{Im}$ Nominal Current	60 mA	60 mA	40 mA	100 mA	60 mA
P Input	1.5 W	1.5 W	1 W	2.4 W	1.5 W

## DIMENSIONS & WEIGHT

<b>A</b> Length [mm]	74
<b>B</b> Width [mm]	15
<b>C</b> Height [mm]	20
<b>Weight [g]</b>	44

**i** For more details please see our 2D drawings.

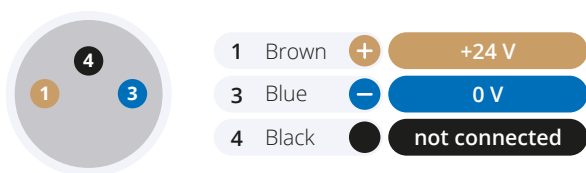


## TECHNICAL DATA

IP Category: <b>IP50</b>	Protection Category: <b>III</b>	Ambient Temperature: <b>-20 - +40 °C</b>	Isolation Resistance: <b>500 V</b>	Housing Material: <b>Aluminium alloy</b>
--------------------------	---------------------------------	--	------------------------------------	--

## CONNECTOR M8-3PIN ASSIGNMENT

light connector front view



## ACCESSORIES

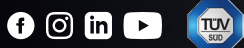
- ✓ Angular Cable M8-3PIN (5 m)
- ✓ Diffusion glass of 67-68% transparency

## OPTIONAL ACCESSORIES

- + Straight Cable M8-3PIN (5 m)
- + Diffusion glass of 36-38% and 48-50% transparency
- + Light Polarization Foil
- + Controller **Smart Light CT-SL4D**
- + Controller **CM-01**

 SmartView

**YOUR  
VISION  
PARTNER**



### COMPANY OFFICE

Smart View s.r.o.  
Nivy 313  
765 02 Otrokovice  
Česká republika

+420 601 575 797  
+420 602 457 497

[info@smartview.cz](mailto:info@smartview.cz)  
[www.smartview.cz](http://www.smartview.cz)

### OUR SALES PARTNERS SLOVAKIA

MTS, spol. s r.o.  
Krivá 53  
027 55 Krivá  
Slovensko

+421 43 5819 111

[mts@mts.sk](mailto:mts@mts.sk)  
[www.mts.sk](http://www.mts.sk)