

BAR LIGHT

LL2-60

New generation of LL-60 Bar Light for direct, universal illumination of most surfaces. Allows the use of Dark Field and Bright Field light sources.



HOMOGENOUS LIGHT FIELD

INCREASED ILLUMINATION OUTPUT POWER

COMPACT DESIGN

UNIVERSAL MOUNTING

LIGHT OPERATING MODES

PERMANENT ILLUMINATION MODE

The light is designed for both the permanent and light-triggering mode. For permanent illumination bring the voltage of 10-24 V to the pin number 4 (black wire). The light is ON during the time when the 24 V EN signal is activated. Use a PCL, camera or another binary signal source. For the light intensity control, please see the text below.

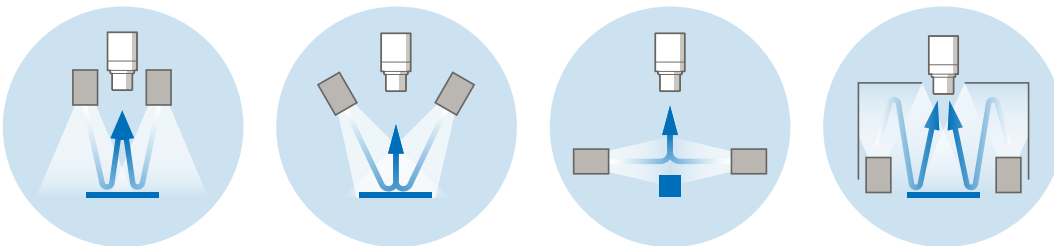
LIGHT TRIGGERING MODE

Light triggering mode saves energy and extends the lifetime of the light. Trigger operation mode is recommended when a parallel operation of 2 or more lights might affect the quality of the acquired image. To start using a triggering mode, bring the pin number 4 (black wire) to a 10-24 V signal. The light is ON when a voltage of 24 V is present at pin number 4 then. Use a PCL, camera, or another binary signal source for triggering. For the light intensity control, please see the text below.

LIGHT SOURCE INTENSITY REGULATION

The light intensity might be regulated by a PWM signal at a pin number 4 (black wire) or an external controller. The maximum PWM frequency is ≤ 40 kHz.

WAYS OF USE



ORDERING CODE

example of the ordering code

LL2 - 60

B

Linear Light

Active Area

Wavelength


CONFIGURATION

Model	Wavelength [nm]	Active Area [mm]	LED Beam Angle [°]
LL2-60W	white	60 x 10	120
LL2-60IR	850	60 x 10	120
LL2-60R	633	60 x 10	120
LL2-60G	525	60 x 10	120
LL2-60B	470	60 x 10	120

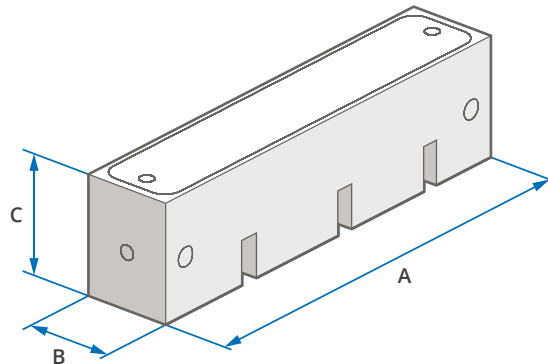
ELECTRIC PARAMETERS

Model	LL2-60W	LL2-60IR	LL2-60R	LL2-60G	LL2-60B
U_n Voltage Span	18-28 V	22-28 V	20-28 V	22-28 V	18-28 V
U_{Im} Nominal Voltage	24 V	24 V	24 V	24 V	24 V
I_{Im} Nominal Current	100 mA	100 mA	100 mA	100 mA	100 mA
P Input	2.4 W	2.4 W	2.4 W	2.4 W	2.4 W

DIMENSIONS & WEIGHT

A Length [mm]	74
B Width [mm]	15
C Height [mm]	28.3
 Weight [g]	44

i For more details please see our 2D drawings.



TECHNICAL DATA

IP Category: **IP50**

Protection Category: **III**

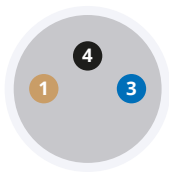
Ambient Temperature: **-20 - +40 °C**

Isolation Resistance: **500 V**

Housing Material: **Aluminium alloy**

CONNECTOR M8-3PIN ASSIGNMENT

light connector front view



1 Brown + +24 V

3 Blue - 0 V

4 Black ● EN

...

4 ● ENABLE

A permanent lighting or trigger signal (10-24 V)

B light intensity regulation: PWM signal \leq 40 kHz

ACCESSORIES

✓ Angular Cable M8-3PIN (5 m)

✓ Diffusion glass of 67-68% transparency

OPTIONAL ACCESSORIES

+ Straight Cable M8-3PIN (5 m)

+ Diffusion glass of 36-38% and 48-50% transparency

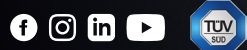
+ Light Polarization Foil

+ Controller Smart Light CT-SL4D

+ Controller CM-01

 SmartView

**YOUR
VISION
PARTNER**



**COMPANY
OFFICE**

Smart View s.r.o.
Nivy 313
765 02 Otrokovice
Česká republika

+420 601 575 797
+420 602 457 497

info@smartview.cz
www.smartview.cz

**OUR SALES PARTNERS
SLOVAKIA**

MTS, spol. s r.o.
Krivá 53
027 55 Krivá
Slovensko

+421 43 5819 111

mts@mts.sk
www.mts.sk