

SPOT LIGHT

WITH INTERCHANGEABLE OPTICS



SP-27

Direct, intensive illumination
with easy regulation of intensity
with integrated trimmer.



IP67

SMART AND EASY POLARIZATION

HOUSING HEIGHT ONLY 21 mm

ANALOGUE REGULATION OF LIGHT INTENSITY

INTEGRATED TRIMMER

LIGHT OPERATING MODES

PERMANENT ILLUMINATION MODE

This light is designed for both the permanent and light-triggering mode. For permanent illumination bring the voltage of 12-28 V to the pin number 4 (black wire). The light is ON during the time when the 24 V EN signal is activated. Use a PCL, camera or another binary signal source. For the light intensity control, please see the text below.

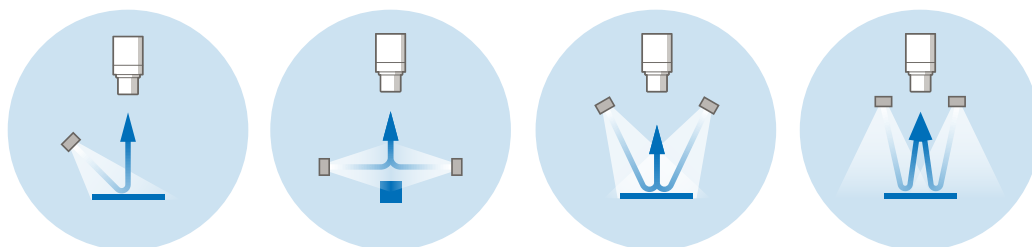
LIGHT TRIGGERING MODE

Light triggering mode saves energy and extends the lifetime of the light. Trigger operation mode is recommended when a parallel operation of 2 or more lights might affect the quality of the acquired image. To start using a triggering mode, bring the pin number 4 (black wire) to a 12-28 V signal. The light is ON when a voltage signal is present at pin number 4 then. Use a PCL, camera, or another binary signal source for triggering. For the light intensity control, please see the text below.

LIGHT SOURCE INTENSITY REGULATION

The light intensity might be regulated by an internal trimmer, analogue voltage, PWM signal or an external controller. In case of using an analogue signal, the light intensity might be regulated in a linear way at a pin number 2 by the voltage span of 2.7 -10 V. Bringing a voltage of 12-28 V to the pin number 2, the light works at its maximum intensity. The maximum PWM frequency is ≤ 40 kHz.

WAYS OF USE



*Applies for devices with wavelength UV405, UV395, UV385 and UV 365. This type of a light has a source of ultra violet radiation. Avoid direct exposure of eyes and unprotected parts of skin. Install the light in a safe way to avoid accidental or deliberate damage of unprotected human skin by UV light radiation. Mark room/area of use with a warning sign.

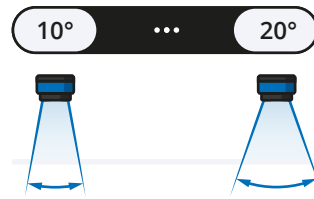
ORDERING CODE

Example of the ordering code

SP - 27 **B470** - 20
 Spot Light Ø of Active Area Exact Wavelength Value LED Beam Angle

OPTICS

Light radiation angle



CONFIGURATION

Model	Wavelength [nm]	Ø of Active Area [mm]	LED Beam Angle [°]
SP-27W	CTR 5000 k	27	10 20
SP-27IR	940 850 810	27	10 20
SP-27R	730 660 625	27	10 20
SP-27G	528	27	10 20
SP-27B	470	27	10 20
SP-27UV	405 395 385 365	27	10 20

ELECTRIC PARAMETERS

Model	SP-27W	SP-27IR	SP-27R	SP-27G	SP-27B	SP-27UV
U_n Voltage Span	12-28 V	12-28 V	12-28 V	12-28 V	12-28 V	12-28 V
U_{jm} Nominal Voltage	24 V DC	24 V DC	24 V DC	24 V DC	24 V DC	24 V DC
I_{jm} Nominal Current	150 mA	150 mA	150 mA	150 mA	150 mA	150 mA
P Input	3.6 W	3.6 W	3.6 W	3.6 W	3.6 W	3.6 W

U_{trig} Trigger Voltage $\geq 12 - 28 V$ ³ I_{trig} Trigger Current $5 mA$ ³

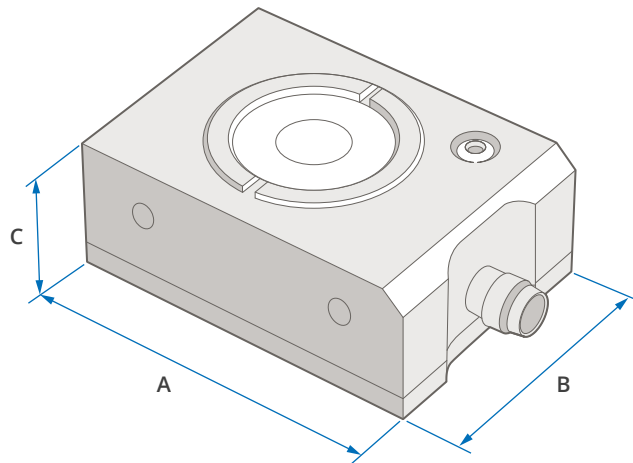
U_{EN} Analogue Dimming $\geq 2.7 .. \leq 10 V$ ² I_{EN} PWM Dimming $> 10 V .. \leq 24 V$ ¹

¹ PWM maximal rate is $\leq 40 kHz$ ² EN (Enable) trigger signal values, M8 connector – pin number 4 ³ EN (Enable) trigger signal values, M8 connector – pin number 2 & 4

DIMENSIONS & WEIGHT

A Length [mm]	56
B Width [mm]	40
C Height [mm]	22
Weight [g]	110

i For more details please see our 2D drawings.

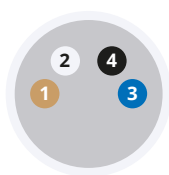


TECHNICAL DATA

IP Category: **IP54** Protection Category: **III** Ambient Temperature: **-20 - +40 °C** Isolation Resistance: **500 V** Housing Material: **Aluminium alloy**

CONNECTOR M8-4PIN ASSIGNMENT

Light connector front view



1	Brown	+	+24 V
2	White		EN
3	Blue	-	0 V
4	Black		EN

- ... 2 **ENABLE**
Light intensity regulation: analogue signal 2.7-10 V or PWM \leq 40 kHz
- ... 4 **ENABLE - permanent illumination or trigger signal (+24 V)**
Light intensity regulation by an internal trimmer

ACCESSORIES

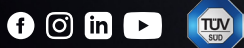
✓ Straight Cable M8-4PIN (5 m)

OPTIONAL ACCESSORIES

- + Angular Cable M8-4PIN (5 m)
- + Light Polarization
- + Controller **Smart Light CT-SL4D**
- + Controller **CM-01**

 SmartView

**YOUR
VISION
PARTNER**



**COMPANY
OFFICE**

Smart View s.r.o.
Nivy 313
765 02 Otrokovice
Česká republika

+420 601 575 797
+420 602 457 497

info@smartview.cz
www.smartview.cz

**OUR SALES PARTNERS
SLOVAKIA**

MTS, spol. s r.o.
Krivá 53
027 55 Krivá
Slovensko

+421 43 5819 111

mts@mts.sk
www.mts.sk