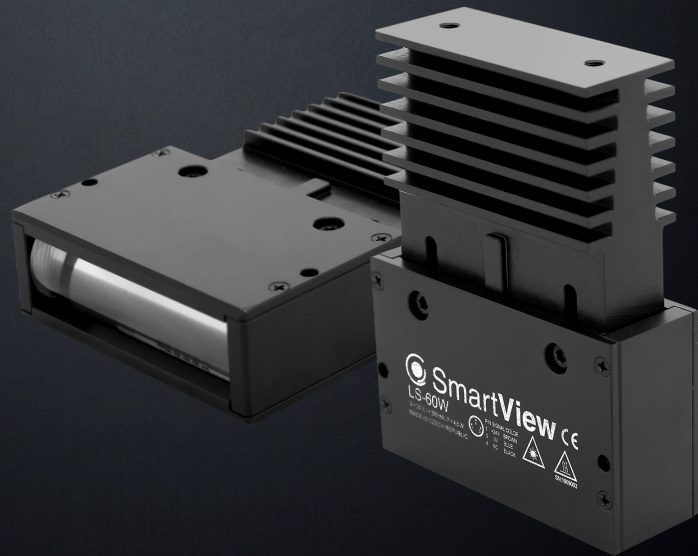


# LINE SCAN LIGHT

LS-60 | LS-200 | LS-400

Designed for line-scan camera applications. The width of the converged light can be adjusted manually by the use of a cylindrical lens. Hi-power illumination for demanding applications.



ROUGH METAL HOUSING

PWM LIGHT INTENSITY REGULATION

ADJUSTABLE LIGHT STRIP WIDTH

## LIGHT OPERATING MODES

### PERMANENT ILLUMINATION MODE

The light is designed for both the permanent and light-triggering mode. For permanent illumination bring the voltage of 10-24 V to the pin number 1 (brown wire). The light is ON during the time when the 24 V EN signal is activated. Use a PCL, camera, or another binary signal source. For the light intensity control, please see the text below.

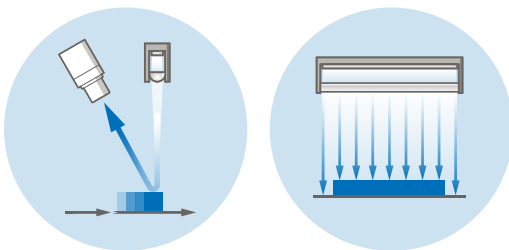
### LIGHT TRIGGERING MODE

Light triggering mode saves energy and extends the lifetime of the light. Trigger operation mode is recommended when a parallel operation of 2 or more lights might affect the quality of the acquired image. To start using a triggering mode, bring the pin number 1 (brown wire) to a 24 V signal. The light is ON when a voltage of 24 V is present at pin number 1 then. Use a PCL, camera, or another binary signal source for triggering. For the light intensity control, please see the text below.

### LIGHT SOURCE INTENSITY REGULATION

The light intensity might be regulated by a PWM signal at a pin number, or by an CM-01 external controller. The maximum PWM frequency is  $\leq 40$  kHz.

## WAYS OF USE



## ORDERING CODE

example of the ordering code

LS - 60

W

Line Scan Light

Active Area

Wavelength


## CONFIGURATION

Model	Wavelength [nm]	Active Area [mm]
LS-60W	CTR 5000 k	60
LS-200W	CTR 5000 k	200
LS-400W	CTR 5000 k	400

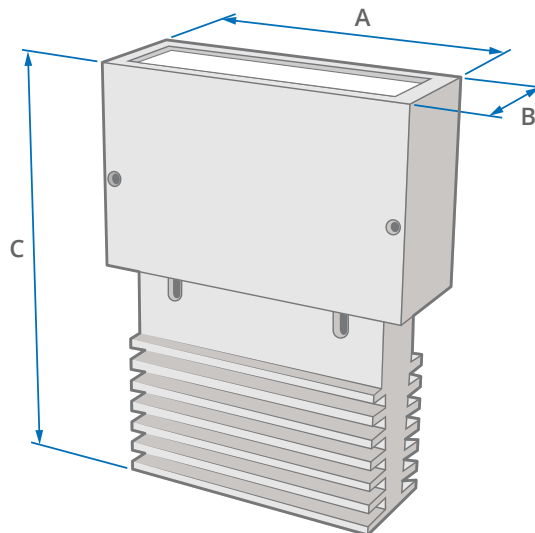
## ELECTRIC PARAMETERS

Model	LS-60W	LS-200W	LS-400W
$U_n$ Voltage Span	22-28 V	22-28 V	22-28 V
$U_{jm}$ Nominal Voltage	24 V DC	24 V DC	24 V DC
$I_{jm}$ Nominal Current	150 mA	150 mA	150 mA
P Input	4.8 W	16.5 W	33 W

## DIMENSIONS & WEIGHT

<b>A</b> Length [mm]	70   210   410
<b>B</b> Width [mm]	25
<b>C</b> Height [mm]	81 - 93
 Weight [g]	267   814   1628

**i** For more details please see our 2D drawings.



## TECHNICAL DATA

IP Category: **IP50**

Protection Category: **III**

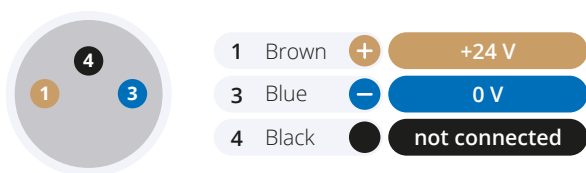
Ambient Temperature: **-20 - +40 °C**

Isolation Resistance: **500 V**

Housing Material: **Aluminium alloy**

## CONNECTOR M8-3PIN ASSIGNMENT

light connector front view



## ACCESSORIES

✓ Straight Cable M8-3PIN (5 m)

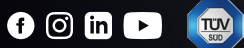
## OPTIONAL ACCESSORIES

+ Controller **Smart Light CT-SL4D**

+ Controller **CM-01**

 **SmartView**

**YOUR  
VISION  
PARTNER**



### COMPANY OFFICE

**Smart View s.r.o.**  
Nivy 313  
765 02 Otrokovice  
Česká republika

+420 601 575 797  
+420 602 457 497

[info@smartview.cz](mailto:info@smartview.cz)  
[www.smartview.cz](http://www.smartview.cz)

### OUR SALES PARTNERS SLOVAKIA

**MTS, spol. s r.o.**  
Krivá 53  
027 55 Krivá  
Slovensko

+421 43 5819 111

[mts@mts.sk](mailto:mts@mts.sk)  
[www.mts.sk](http://www.mts.sk)