

# HIGH-PERFORMANCE BAR LIGHT

## LL-490-II

Direct, universal illumination of most surfaces. Allows the use of Dark and Bright Field light sources depending on the distance and angle towards the scanned object.



HOMOGENOUS LIGHT FIELD

UNIVERSAL MOUNTING

ROUGH, METAL HOUSING

## LIGHT OPERATING MODES

### PERMANENT ILLUMINATION MODE

The light is designed for both the permanent and light-triggering mode. For permanent illumination bring the voltage of 10-24 V to the pin number 4 (black wire). The light is ON during the time when the 24 V EN signal is activated. Use a PCL, camera or another binary signal source. For the light intensity control, please see the text below.

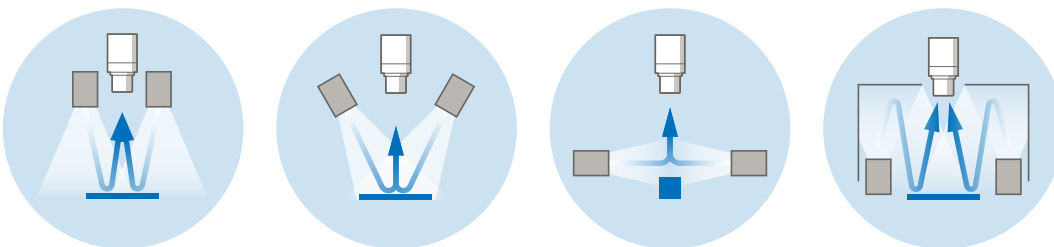
### LIGHT TRIGGERING MODE

Light triggering mode saves energy and extends the lifetime of the light. Trigger operation mode is recommended when a parallel operation of 2 or more lights might affect the quality of the acquired image. To start using a triggering mode, bring the pin number 4 (black wire) to a 10-24 V signal. The light is ON when a voltage of 24 V is present at pin number 4 then. Use a PCL, camera, or another binary signal source for triggering. For the light intensity control, please see the text below.

### LIGHT SOURCE INTENSITY REGULATION

The light intensity might be regulated by an analogue voltage, PWM signal or an external controller. In case of using an analogue signal, the light intensity might be regulated in a linear way at a pin number 4 by the voltage span of 2.7 -10 V. Bringing a voltage of 10-24 V to the pin number 4, the light works at its maximum intensity. The maximum PWM frequency is  $\leq 40$  kHz.

## WAYS OF USE



## ORDERING CODE

example of the ordering code

LL	-	490	B	80	-	II
Linear Light		Active Area	Wavelength	LED Beam Angle		Type

## CONFIGURATION

Model	Wavelength [nm]	Active Area [mm]	LED Beam Angle [°]	Type
LL-490W	245	White	80	II
LL-490IR	245	940   850	90	II
LL-490R	245	623	80	II
LL-490G	245	528	80	II
LL-490B	245	470	80	II
LL-490UV	245	405   395   385   365	120	II

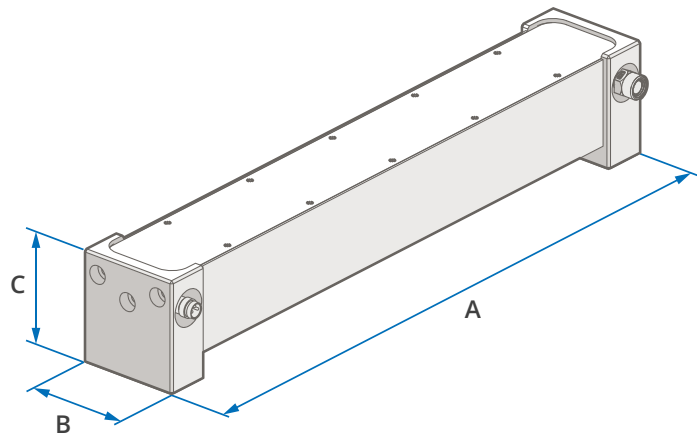
## ELECTRIC PARAMETERS

Model	LL-490W	LL-490IR	LL-490R	LL-490G	LL-490B	LL-490UV
$U_n$ Voltage Span	17-28 V	17-28 V	17-28 V	17-28 V	17-28 V	20-28 V
$U_{jm}$ Nominal Voltage	24 V DC	24 V DC	24 V DC	24 V DC	24 V DC	24 V DC
$I_{jm}$ Nominal Current	1120 mA	1100 mA	1100 mA	1100 mA	1100 mA	1100 mA
$P$ Input	26.8 W	26.4 W	26.4 W	26.4 W	26.4 W	26.4 W
$U_{trig}$ Trigger Voltage	≥ 10 - 24 V		$I_{trig}$ Trigger Current		2.4 mA	

## DIMENSIONS & WEIGHT

A	Length [mm]	530
B	Width [mm]	46
C	Height [mm]	50
Weight [g]	1 390	

**i** For more details please see our 2D drawings.

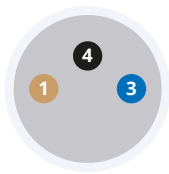


## TECHNICAL DATA

IP Category: <b>IP50</b>	Protection Category: <b>III</b>	Ambient Temperature: <b>-20 - +40 °C</b>	Isolation Resistance: <b>500 V</b>	Housing Material: <b>Aluminium alloy</b>
--------------------------	---------------------------------	--	------------------------------------	--

## CONNECTOR M8-3PIN ASSIGNMENT

light connector front view



1 Brown + +24 V

3 Blue - 0 V

4 Black ● ENABLE

...

4 ● ENABLE

A permanent lighting or trigger signal (10-24 V)

B light intensity regulation: Analogue signal 2.7-10 V or PWM  $\leq$  40 kHz

## ACCESSORIES

✓ Angular Cable M8-3PIN (5 m)

✓ Diffusion glass of 67-68% transparency

## OPTIONAL ACCESSORIES

+ Straight Cable M8-3PIN (5 m)

+ Diffusion glass of 36-38% transparency

+ Light Polarization

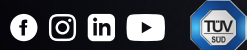
+ Controller Smart Light CT-SL4D

+ Controller CM-01

+ IP Category IP60

 SmartView

**YOUR  
VISION  
PARTNER**



**COMPANY  
OFFICE**

Smart View s.r.o.  
Nivy 313  
765 02 Otrokovice  
Česká republika

+420 601 575 797  
+420 602 457 497

info@smartview.cz  
www.smartview.cz

**OUR SALES PARTNERS  
SLOVAKIA**

MTS, spol. s r.o.  
Krivá 53  
027 55 Krivá  
Slovensko

+421 43 5819 111

mts@mts.sk  
www.mts.sk