

BACK LIGHT

BL-200x120

Back Light diffused illumination to emphasize the shape and contours of the controlled object.



HOMOGENOUS LIGHT FIELD

COMPACT DESIGN

UNIVERSAL MOUNTING

LIGHT OPERATING MODES

PERMANENT ILLUMINATION MODE

The light is designed for both the permanent and light-triggering mode. For permanent illumination bring the voltage of 10-24 V to the pin number 4 (black wire). The light is ON during the time when the 24 V EN signal is activated. Use a PCL, camera or another binary signal source. For the light intensity control, please see the text bellow.

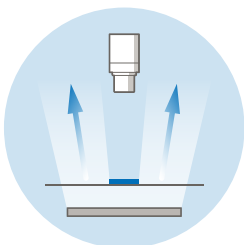
LIGHT TRIGGERING MODE

Light triggering mode saves energy and extends the lifetime of the light. Trigger operation mode is recommended when a parallel operation of 2 or more lights might affect the quality of the acquired image. To start using a triggering mode, bring the pin number 4 (black wire) to a 10-24 V signal. The light is ON when a voltage of 24 V is present at pin number 4 then. Use a PCL, camera, or another binary signal source for triggering. For the light intensity control, please see the text bellow.

LIGHT SOURCE INTENSITY REGULATION

The light intensity might be regulated by an analogue voltage, PWM signal or an external controller. In case of using an analogue signal, the light intensity might be regulated in a linear way at a pin number 4 by the voltage span of 2.7 -10 V. Bringing a voltage of 10-24 V to the pin number 4, the light works at its maximum intensity. The maximum PWM frequency is ≤ 40 kHz.

WAYS OF USE



ORDERING CODE

example of the ordering code

BL - **200x120** **W**
Back Light Active Area Wavelength


CONFIGURATION

| Model | Wavelength [nm] | Active Area [mm] |
|--|-----------------|------------------|
| <input type="radio"/> BL-200x120W | White | 250 x 120 |
| <input checked="" type="radio"/> BL-200x120R | 624 | 250 x 120 |

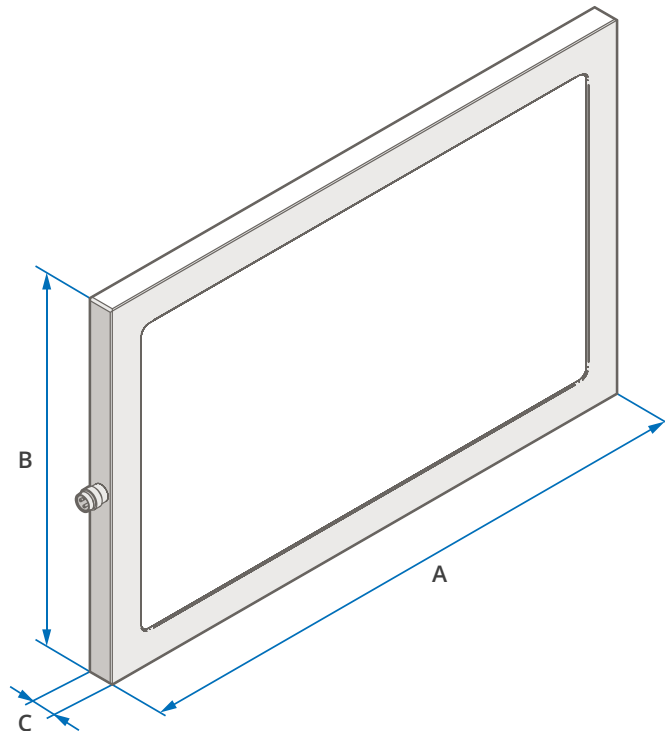
ELECTRIC PARAMETERS

| Model | <input type="radio"/> BL-200x120W | <input checked="" type="radio"/> BL-200x120R | |
|----------------------------|-----------------------------------|--|--------|
| U_n Voltage Span | 18-28 V | 20-28 V | |
| U_{jn} Nominal Voltage | 24 V | 24 V | |
| I_{jn} Nominal Current | 460 mA | 450 mA | |
| P Input | 11 W | 10.8 W | |
| U_{trig} Trigger Voltage | $\geq 12 - 28 V$ | I_{trig} Trigger Current | 1.4 mA |

DIMENSIONS & WEIGHT

| | |
|--|-----|
| A Length [mm] | 230 |
| B Width [mm] | 150 |
| C Height [mm] | 11 |
|  Weight [g] | - |

i For more details please see our 2D drawings.

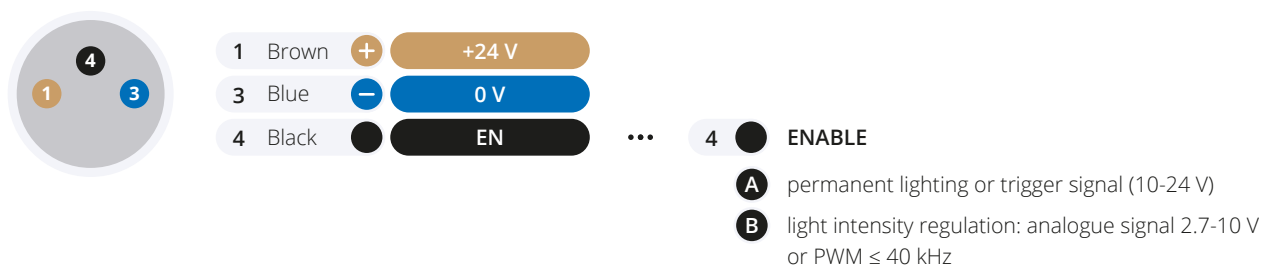


TECHNICAL DATA

| | | | | |
|--------------------------|---------------------------------|--|------------------------------------|--|
| IP Category: IP63 | Protection Category: III | Ambient Temperature: -20 - +40 °C | Isolation Resistance: 500 V | Housing Material: Aluminium alloy |
|--------------------------|---------------------------------|--|------------------------------------|--|

CONNECTOR M8-3PIN ASSIGNMENT

light connector front view



ACCESSORIES

✓ Straight Cable M8-3PIN (5 m)

OPTIONAL ACCESSORIES

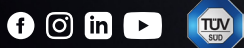
+ Angular Cable M8-3PIN (5 m)

+ Controller **Smart Light CT-SL4D**

+ Controller **CM-01**

 SmartView

**YOUR
VISION
PARTNER**



COMPANY OFFICE

Smart View s.r.o.
Nivy 313
765 02 Otrokovice
Česká republika

+420 601 575 797
+420 602 457 497

info@smartview.cz
www.smartview.cz

OUR SALES PARTNERS SLOVAKIA

MTS, spol. s r.o.
Krivá 53
027 55 Krivá
Slovensko

+421 43 5819 111

mts@mts.sk
www.mts.sk