

# DOME LIGHT

## DL-50

Ideal for indirect homogeneous illumination of curved surfaces or objects.

HOMOGENOUS LIGHT FIELD

COMPACT DESIGN

UNIVERSAL MOUNTING



## LIGHT OPERATING MODES

### PERMANENT ILLUMINATION MODE

The light is designed for both the permanent and light-triggering mode. For permanent illumination bring the voltage of 10-24 V to the pin number 3 (brown wire). The light is ON during the time when the 24 V EN signal is activated. Use a PCL, camera, or another binary signal source. For the light intensity control, please see the text below.

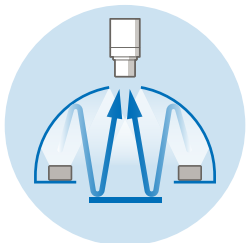
### LIGHT TRIGGERING MODE

Light triggering mode saves energy and extends the lifetime of the light. Trigger operation mode is recommended when a parallel operation of 2 or more lights might affect the quality of the acquired image. To start using a triggering mode, bring the pin number 3 (brown wire) to a 24 V signal. The light is ON when a voltage of 24 V is present at pin number 3 then. Use a PCL, camera, or another binary signal source for triggering. For the light intensity control, please see the text below.

### LIGHT SOURCE INTENSITY REGULATION

The light intensity might be regulated by a PWM signal at a pin number, or by an CM-01 external controller. The maximum PWM frequency is  $\leq 40$  kHz.

## WAYS OF USE



## ORDERING CODE

example of the ordering code

DL - 50

B

Dome Light

Ø of Active Area

Wavelength

## CONFIGURATION

Model	Wavelength [nm]	Ø of Active Area [mm]
DL-50W	White	50
DL-50R	635	50
DL-50B	470	50

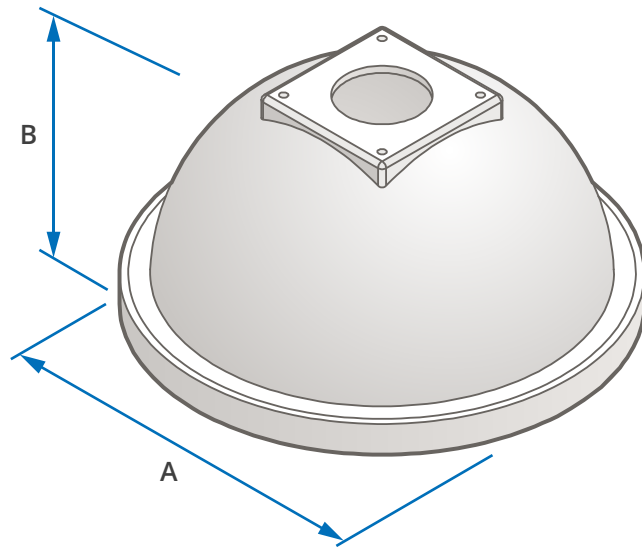
## ELECTRIC PARAMETERS

Model	DL-50W	DL-50R	DL-50B
$U_n$ Voltage Span	-	-	-
$U_{jm}$ Nominal Voltage	24 V DC	24 V DC	24 V DC
$I_{max}$ Maximal Current	110 mA	60 mA	90 mA
P Input	2.64 W	1.44 W	2.16 W

## DIMENSIONS & WEIGHT

A Outer Ø [mm]	85
B Height [mm]	51
Weight [g]	125

**i** For more details please see our 2D drawings.



## TECHNICAL DATA

IP Category: **IP20**

Protection Category: **III**

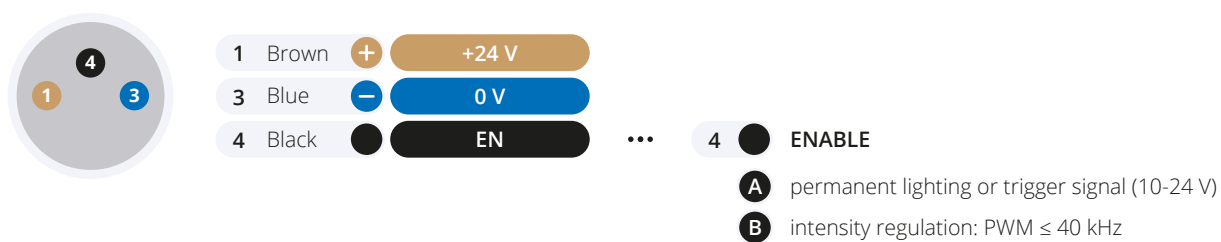
Ambient Temperature: **-20 - +40 °C**

Isolation Resistance: **500 V**

Housing Material: **ABS**

## CONNECTOR M8-3PIN ASSIGNMENT

light connector front view



## ACCESSORIES

✓ Straight Cable M8-3PIN (5 m)

## OPTIONAL ACCESSORIES

+ Angular Cable M8-3PIN (5 m)

+ Controller **Smart Light CT-SL4D**

+ Controller **CM-01**

 SmartView

**YOUR  
VISION  
PARTNER**



**COMPANY  
OFFICE**

**Smart View s.r.o.**  
Nivy 313  
765 02 Otrokovice  
Česká republika

+420 601 575 797  
+420 602 457 497

[info@smartview.cz](mailto:info@smartview.cz)  
[www.smartview.cz](http://www.smartview.cz)

**OUR SALES PARTNERS  
SLOVAKIA**

**MTS, spol. s r.o.**  
Krivá 53  
027 55 Krivá  
Slovensko

+421 43 5819 111

[mts@mts.sk](mailto:mts@mts.sk)  
[www.mts.sk](http://www.mts.sk)