

# SHORT SPOT LIGHT

## SP-26S

Direct intensive illumination of distant objects and codes.



COMPACT DESIGN

UNIVERSAL MOUNTING

ROUGH, METAL HOUSING

## LIGHT OPERATING MODES

### PERMANENT ILLUMINATION MODE

The light is designed for both the permanent and light-triggering mode. For permanent illumination bring the voltage of 10-24 V to the pin number 4 (black wire). The light is ON during the time when the 24 V EN signal is activated. Use a PCL, camera or another binary signal source. For the light intensity control, please see the text bellow.

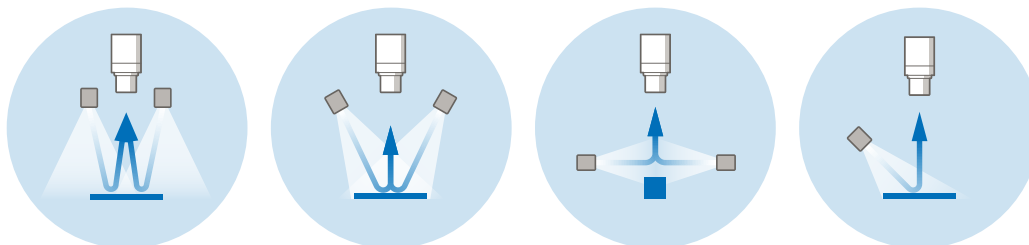
### LIGHT TRIGGERING MODE

Light triggering mode saves energy and extends the lifetime of the light. Trigger operation mode is recommended when a parallel operation of 2 or more lights might affect the quality of the acquired image. To start using a triggering mode, bring the pin number 4 (black wire) to a 10-24 V signal. The light is ON when a voltage of 24 V is present at pin number 4 then. Use a PCL, camera, or another binary signal source for triggering. For the light intensity control, please see the text bellow.

### LIGHT SOURCE INTENSITY REGULATION

The light intensity might be regulated by an analogue voltage, PWM signal or an external controller. In case of using an analogue signal, the light intensity might be regulated in a linear way at a pin number 4 by the voltage span of 2.7 -10 V. Bringing a voltage of 10-24 V to the pin number 4, the light works at its maximum intensity. The maximum PWM frequency is  $\leq 40$  kHz.

## WAYS OF USE



## ORDERING CODE

example of the ordering code

SP	-	26	<b>B</b>	18	S
Spot Light	Ø of Active Area	Wavelength	LED Beam Angle	Short Model	

## CONFIGURATION

Model	Wavelength [nm]	Ø of Active Area [mm]	LED Beam Angle [°]
SP-26W	CTR 5000 k	26	10   18
SP-26IR	850   810	26	10   18
SP-26R	660   625	26	10   18
SP-26G	525	26	10   18
SP-26B	470	26	10   18
SP-26UV	405   395   385   365	26	10   18

## ELECTRIC PARAMETERS

Model	SP-26W	SP-26IR	SP-26R	SP-26G	SP-26B	SP-26UV
$U_n$ Voltage Span	7-28 V	7-28 V	7-28 V	7-28 V	7-28 V	7-28 V
$U_{jm}$ Nominal Voltage	24 V DC	24 V DC	24 V DC	24 V DC	24 V DC	24 V DC
$I_{jm}$ Nominal Current	120 mA	120 mA	120 mA	120 mA	120 mA	120 mA
P Input	2.9 W	2.9 W	2.9 W	2.9 W	2.9 W	2.9 W

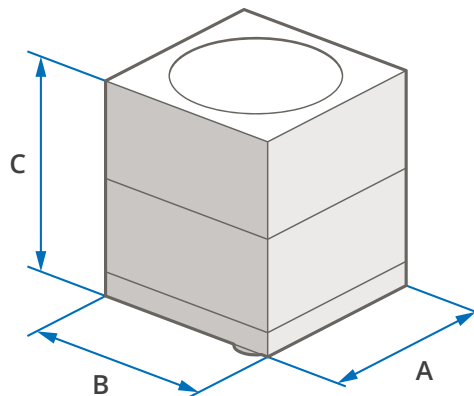
$U_{trig}$ Trigger Voltage	≥ 2.7 - 24 V <sup>2</sup>	$I_{trig}$ Trigger Current	2.3 mA <sup>2</sup>
$U_{EN}$ Analogue Dimming	≥ 2.7 .. ≤ 10 V <sup>2</sup>	$I_{EN}$ PWM Dimming	> 10 V .. ≤ 24 V <sup>1</sup>

<sup>1</sup> PWM maximal rate is ≤ 40 kHz    <sup>2</sup> EN (Enable) trigger signal values, M8 connector – pin number 4

## DIMENSIONS & WEIGHT

<b>A</b> Length [mm]	32
<b>B</b> Width [mm]	32
<b>C</b> Height [mm]	32
<b>Weight [g]</b>	66

**i** For more details please see our 2D drawings.

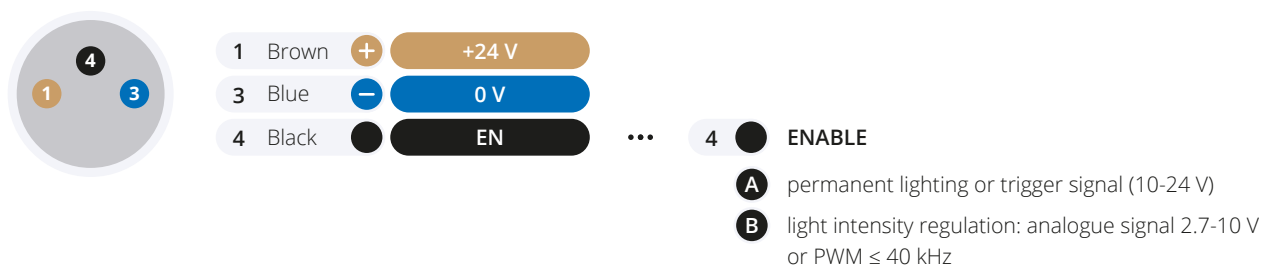


## TECHNICAL DATA

IP Category: <b>IP50</b>	Protection Category: <b>III</b>	Ambient Temperature: <b>-20 - +40 °C</b>	Isolation Resistance: <b>500 V</b>	Housing Material: <b>Aluminium alloy</b>
--------------------------	---------------------------------	--	------------------------------------	--

## CONNECTOR M8-3PIN ASSIGNMENT

light connector front view



## ACCESSORIES

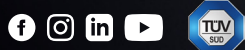
✓ Straight Cable M8-3PIN (5 m)

## OPTIONAL ACCESSORIES

- + Angular Cable M8-3PIN (5 m)
- + Light Polarization
- + Controller **Smart Light CT-SL4D**
- + Controller **CM-01**

 SmartView

**YOUR  
VISION  
PARTNER**



### COMPANY OFFICE

Smart View s.r.o.  
Nivy 313  
765 02 Otrokovice  
Česká republika

+420 601 575 797  
+420 602 457 497

[info@smartview.cz](mailto:info@smartview.cz)  
[www.smartview.cz](http://www.smartview.cz)

### OUR SALES PARTNERS SLOVAKIA

MTS, spol. s r.o.  
Krivá 53  
027 55 Krivá  
Slovensko

+421 43 5819 111

[mts@mts.sk](mailto:mts@mts.sk)  
[www.mts.sk](http://www.mts.sk)