

HIGH-PERFORMANCE BAR LIGHT

LL-980-II

Direct, universal illumination of most surfaces. Allows the use of Dark and Bright Field light sources depending on the distance and angle towards the scanned object.



HOMOGENOUS LIGHT FIELD

UNIVERSAL MOUNTING

ROUGH, METAL HOUSING

LIGHT OPERATING MODES

PERMANENT ILLUMINATION MODE

The light is designed for both the permanent and light-triggering mode. For permanent illumination bring the voltage of 10-24 V to the pin number 4 (black wire). The light is ON during the time when the 24 V EN signal is activated. Use a PCL, camera or another binary signal source. For the light intensity control, please see the text below.

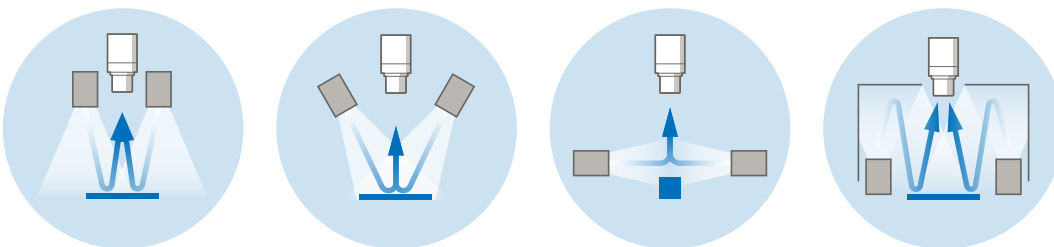
LIGHT TRIGGERING MODE

Light triggering mode saves energy and extends the lifetime of the light. Trigger operation mode is recommended when a parallel operation of 2 or more lights might affect the quality of the acquired image. To start using a triggering mode, bring the pin number 4 (black wire) to a 10-24 V signal. The light is ON when a voltage of 24 V is present at pin number 4 then. Use a PCL, camera, or another binary signal source for triggering. For the light intensity control, please see the text below.

LIGHT SOURCE INTENSITY REGULATION

The light intensity might be regulated by an analogue voltage, PWM signal or an external controller. In case of using an analogue signal, the light intensity might be regulated in a linear way at a pin number 4 by the voltage span of 2.7 -10 V. Bringing a voltage of 10-24 V to the pin number 4, the light works at its maximum intensity. The maximum PWM frequency is ≤ 40 kHz.

WAYS OF USE



*Applies for devices with wavelength UV405, UV395, UV385 and UV 365. This type of a light has a source of ultra violet radiation. Avoid direct exposure of eyes and unprotected parts of skin. Install the light in a safe way to avoid accidental or deliberate damage of unprotected human skin by UV light radiation. Mark room/area of use with a warning sign.

ORDERING CODE

example of the ordering code

LL	-	980	B	80	-	II
Linear Light		Active Area	Wavelength	LED Beam Angle		Type

CONFIGURATION

Model	Wavelength [nm]	Active Area [mm]	LED Beam Angle [°]	Type
LL-980W	980	White	80	II
LL-980IR	980	940 850	90	II
LL-980R	980	623	80	II
LL-980G	980	528	80	II
LL-980B	980	470	80	II
LL-980UV	980	405 395 385 365	120	II

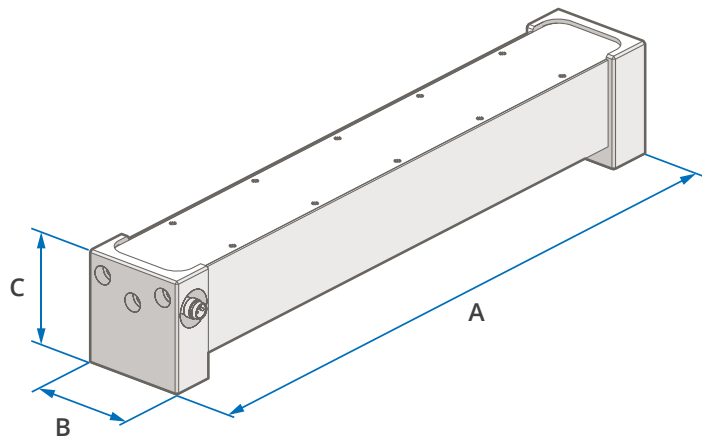
ELECTRIC PARAMETERS

Model	LL-980W	LL-980IR	LL-980R	LL-980G	LL-980B	LL-980UV
U_n Voltage Span	17-28 V	17-28 V	17-28 V	17-28 V	17-28 V	20-28 V
U_{jm} Nominal Voltage	24 V DC	24 V DC	24 V DC	24 V DC	24 V DC	24 V DC
I_{jm} Nominal Current	2240 mA	2200 mA	2200 mA	2200 mA	2200 mA	2200 mA
P Input	53.6 W	52.8 W	52.8 W	52.8 W	52.8 W	52.8 W
U_{trig} Trigger Voltage	≥ 10 - 24 V		I_{trig} Trigger Current		2.4 mA	

DIMENSIONS & WEIGHT

A	Length [mm]	1 020
B	Width [mm]	46
C	Height [mm]	50
Weight [g]	3 000	

i For more details please see our 2D drawings.

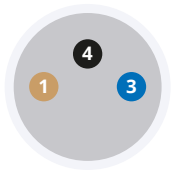


TECHNICAL DATA

IP Category: IP50	Protection Category: III	Ambient Temperature: -20 - +40 °C	Isolation Resistance: 500 V	Housing Material: Aluminium alloy
--------------------------	---------------------------------	--	------------------------------------	--

CONNECTOR M8-3PIN ASSIGNMENT

light connector front view



1	Brown	+	+24 V
3	Blue	-	0 V
4	Black	●	EN

...

4 ● ENABLE

- A permanent lighting or trigger signal (10-24 V)
- B light intensity regulation: Analogue signal 2.7-10 V or PWM \leq 40 kHz

ACCESSORIES

✓ Angular Cable M8-3PIN (5 m)

✓ Diffusion glass of 67-68% transparency

OPTIONAL ACCESSORIES

+ Straight Cable M8-3PIN (5 m)

+ Diffusion glass of 36-38% transparency

+ Light Polarization

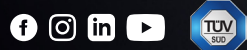
+ Controller **Smart Light CT-SL4D**

+ Controller **CM-01**

+ IP Category **IP60**

 SmartView

**YOUR
VISION
PARTNER**



COMPANY OFFICE

Smart View s.r.o.
Nivy 313
765 02 Otrokovice
Česká republika

+420 601 575 797
+420 602 457 497

info@smartview.cz
www.smartview.cz

OUR SALES PARTNERS SLOVAKIA

MTS, spol. s r.o.
Krivá 53
027 55 Krivá
Slovensko

+421 43 5819 111

mts@mts.sk
www.mts.sk