

# DOME LIGHT

## DLU-250

Ideal for indirect homogeneous illumination of curved surfaces or objects. Optimal illumination for glossy surfaces.



HOMOGENOUS LIGHT FIELD

ROBUST DESIGN, MADE OF ALUMINIUM ALLOY

UNIVERSAL MOUNTING

## LIGHT OPERATING MODES

### PERMANENT ILLUMINATION MODE

The light is designed for both the permanent and light-triggering mode. For permanent illumination bring the voltage of 10-24 V to the pin number 4 (black wire). The light is ON during the time when the 24 V EN signal is activated. Use a PCL, camera or another binary signal source. For the light intensity control, please see the text below.

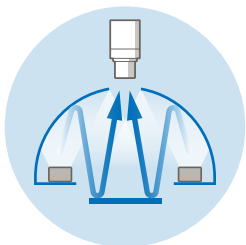
### LIGHT TRIGGERING MODE

Light triggering mode saves energy and extends the lifetime of the light. Trigger operation mode is recommended when a parallel operation of 2 or more lights might affect the quality of the acquired image. To start using a triggering mode, bring the pin number 4 (black wire) to a 10-24 V signal. The light is ON when a voltage of 24 V is present at pin number 4 then. Use a PCL, camera, or another binary signal source for triggering. For the light intensity control, please see the text below.

### LIGHT SOURCE INTENSITY REGULATION

The light intensity might be regulated by an analogue voltage, PWM signal or an external controller. In case of using an analogue signal, the light intensity might be regulated in a linear way at a pin number 4 by the voltage span of 2.7 -10 V. Bringing a voltage of 10-24 V to the pin number 4, the light works at its maximum intensity. The maximum PWM frequency is  $\leq 40$  kHz.

## WAYS OF USE



## ORDERING CODE

example of the ordering code

DLU - 250

B

Dome Light

Active Area

Wavelength

## CONFIGURATION

Model	Wavelength [nm]	Active Area [mm]
DLU-250W	CTR 500 k	250 x 90
DLU-250IR	850	250 x 90
DLU-250R	625	250 x 90
DLU-250G	525	250 x 90
DLU-250B	470	250 x 90

## ELECTRIC PARAMETERS

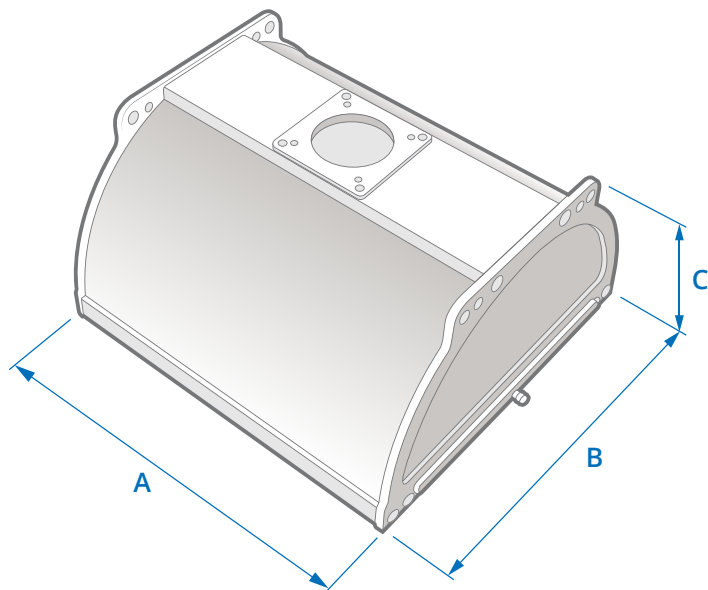
Model	DLU-250W	DLU-250IR	DLU-250R	DLU-250G	DLU-250B
$U_n$ Voltage Span	18-28 V	18-28 V	18-28 V	18-28 V	18-28 V
$U_{jm}$ Nominal Voltage	24 V DC	24 V DC	24 V DC	24 V DC	24 V DC
$I_{jm}$ Nominal Current	1100 mA	1100 mA	1100 mA	1100 mA	1100 mA
P Input	26.4 W	26.4 W	26.4 W	26.4 W	26.4 W
$U_{trig}$ Trigger Voltage	$\geq 2.7 - 24 V$ <sup>2</sup>		$I_{trig}$ Trigger Current		2.3 mA <sup>2</sup>
$U_{EN}$ Analogue Dimming	$\geq 2.7 .. \leq 10 V$ <sup>2</sup>		$I_{EN}$ PWM Dimming		$> 10 V .. \leq 24 V$ <sup>1</sup>

<sup>1</sup> PWM maximal rate is  $\leq 40$  kHz    <sup>2</sup> EN (Enable) trigger signal values, M8 connector - pin number 4

## DIMENSIONS & WEIGHT

A Length [mm]	266
B Width [mm]	250
C Height [mm]	146
Weight [g]	1600

**i** For more details please see our 2D drawings.



## TECHNICAL DATA

IP Category: **IP50**

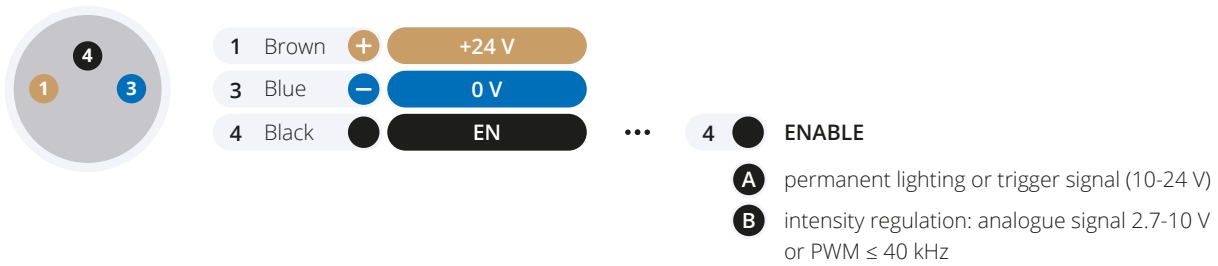
Protection Category: **III**

Ambient Temperature: **-20 - +40 °C**

Housing Material: **Aluminium alloy**

## CONNECTOR M8-3PIN ASSIGNMENT

light connector front view



## ACCESSORIES

✓ Straight Cable M8-3PIN (5 m)

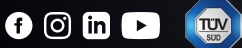
## OPTIONAL ACCESSORIES

+ Angular Cable M8-3PIN (5 m)

+ Controller **CM-01**

 SmartView

**YOUR  
VISION  
PARTNER**



### COMPANY OFFICE

Smart View s.r.o.  
Nivy 313  
765 02 Otrokovice  
Česká republika

+420 601 575 797  
+420 602 457 497

[info@smartview.cz](mailto:info@smartview.cz)  
[www.smartview.cz](http://www.smartview.cz)

### OUR SALES PARTNERS SLOVAKIA

MTS, spol. s r.o.  
Krivá 53  
027 55 Krivá  
Slovensko

+421 43 5819 111

[mts@mts.sk](mailto:mts@mts.sk)  
[www.mts.sk](http://www.mts.sk)