

LIGHT INTENSITY CONTROLLER

CM-01

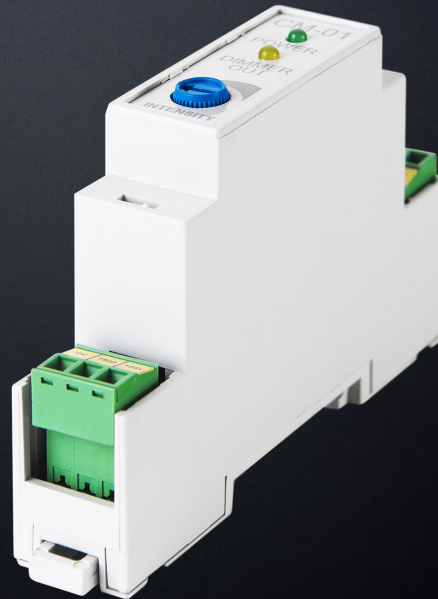
Fits for external lighting output regulation in inspection and camera applications. It allows power supply and PWM regulation of one or more lights with a supply voltage of 24 V DC.

COMPACT DESIGN

ALLOWS CONNECTION OF MULTIPLE LIGHTS

SMOOTH LIGHT INTENSITY REGULATION

SUITABLE FOR ALL SMART VIEW LIGHTS



OPERATION MODES OF THE CONTROLLER

CONTINUOUS LIGHTING

For constant lighting, move the jumper to position PIN 1-2; in this case, a triggering signal from the PLC or sensor is not needed.

SWITCHED LIGHTING

For switched (triggered) lighting, leave the jumper in position PIN 2-3 (factory default); the light will illuminate for the duration of a log 1 signal at the TRIG terminal (positive voltage 3-28 V max.).

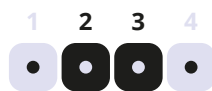
INVERTED LIGHT INTENSITY REGULATION

To control the lighting with an inverted signal, move the jumper to position PIN 3-4 INVERT TRIG. With a log 1 signal, the light will not illuminate, and with a log 0 signal, the light will turn on.



CONTINUOUS LIGHTING

- No External signal needed



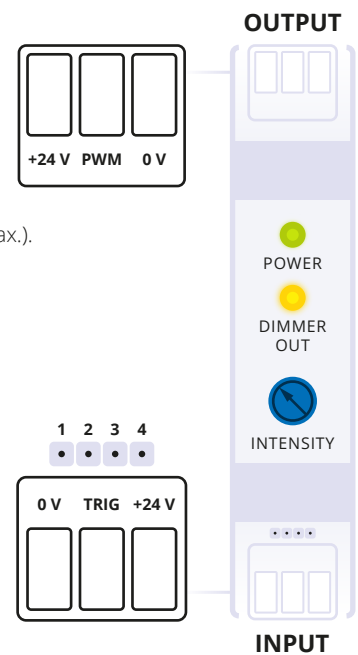
SWITCHED (TRIGGERED) LIGHTING

from PLC or External sensor



INVERTED SWITCHED (TRIGGERED) LIGHTING

from PLC or External sensor



INDICATIONS

- Connection of the +24 V DC power supply to the controller is indicated by **the green** POWER LED.
- **The yellow** DIMMER OUT LED indicates the set level of light output intensity.
- If the LED **lights up red**, it means there is an overload or a short circuit on the PWM output. The integrated fuse will be automatically reactivated after removing the overload or short circuit and then disconnecting and reconnecting the controller to the 24 V DC power supply.

ELECTRIC PARAMETERS

U_n	Voltage Span	20-28 V
U_{jn}	Nominal Voltage	24 V DC
I_{max}	Maximum Output Current 24 V	8 A
I_{max}	Maximum Output Current PWM	1.25 A
P_{max}	Maximum Output PWM	30 W
U_{trig}	Trigger Voltage	3-28 V
I_{trig}	Trigger Current at $U_{trig} = 24 V$	2.3 mA

TECHNICAL DATA

IP Category: **IP40** Protection Category: **III**

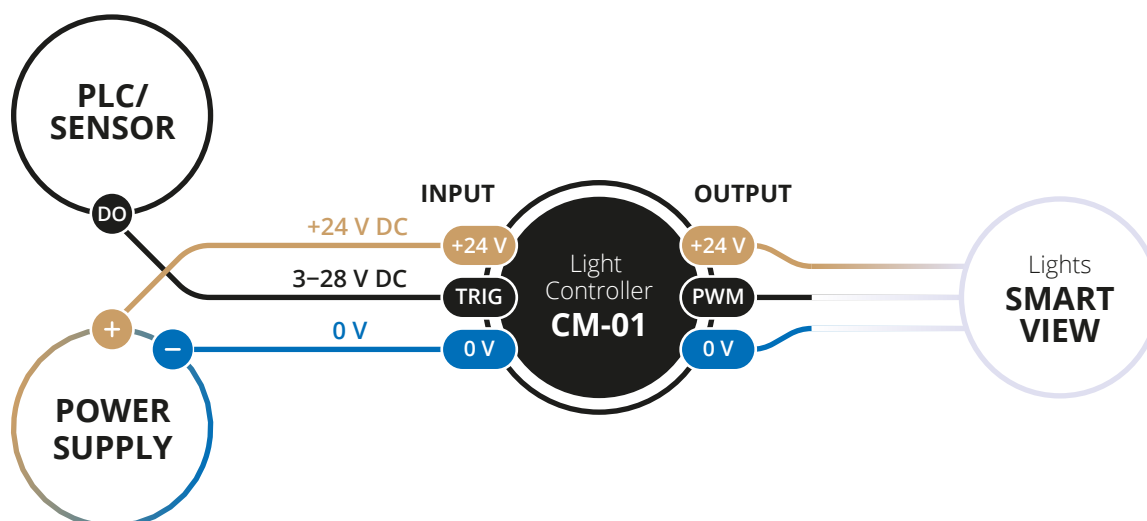
Ambient Temperature: **(-20) — (+60) °C**

! Before connecting to the power supply for the first time, please carefully check your electrical wiring. The controller is equipped with protection against reverse polarity of the input supply voltage and an electronic fuse of 1.25 A against overload on the PWM output.

ELECTRICAL WIRING OF THE CONTROLLER & LIGHTING

For Smart View lighting (excluding LL-30), multiple lights can be connected in parallel to one controller. The maximum EN (trigger) signal current of one light is < 3 mA at a nominal voltage of 24 V.

! Do not exceed the maximum allowable load of the controller. You can connect several lights in parallel to the output terminals of the controller and control the intensity for all of them simultaneously. Before connecting the LL-30x series lights, which you plan to regulate, please check the maximum current value on the light label. The total current must not exceed 1 A.



 SmartView

**YOUR
VISION
PARTNER**



**COMPANY
OFFICE**

Smart View s.r.o.
Nivy 313
765 02 Otrokovice
Česká republika

+420 601 575 797
+420 602 457 497

info@smartview.cz
www.smartview.cz

**OUR SALES PARTNERS
SLOVAKIA**

MTS, spol. s r.o.
Krivá 53
027 55 Krivá
Slovensko

+421 43 5819 111

mts@mts.sk
www.mts.sk